







Assembly Instructions

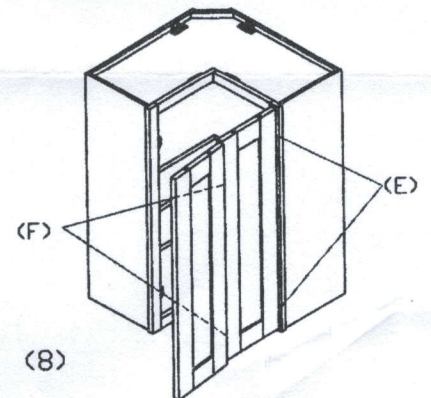
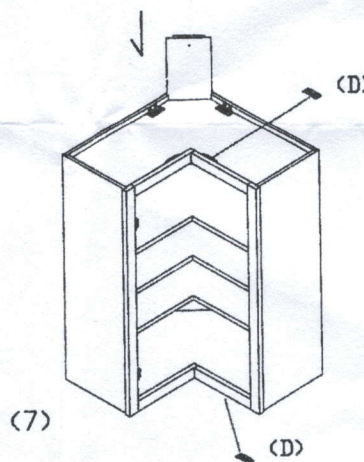
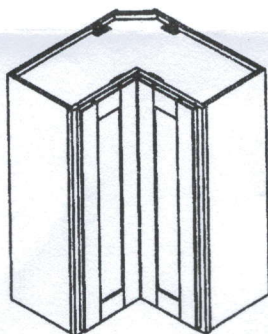
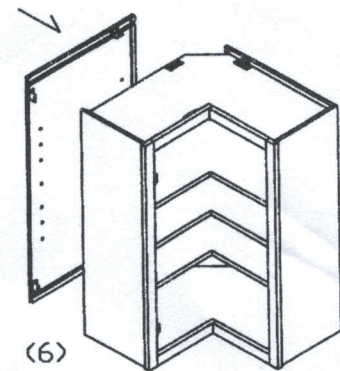
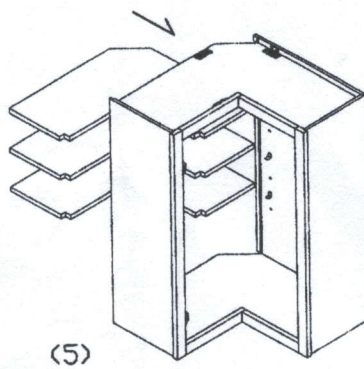
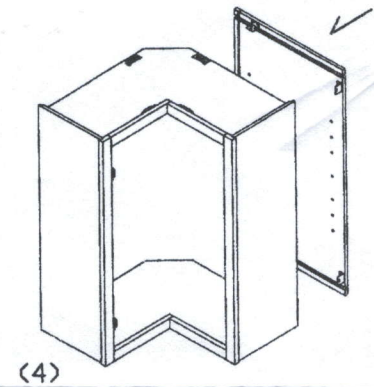
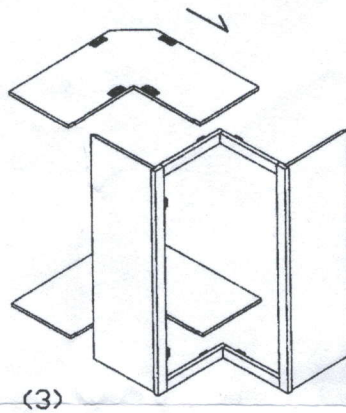
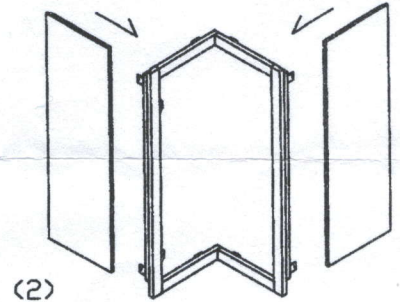
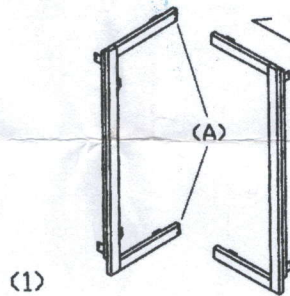
WSQ2430*

WSQ2436*

WSQ2442*

Wall Square Corner - 1 b-fold doors

 <p>screw-f 3.5*28=4pcs</p> <p>(A)</p>
 <p>screw-p 4*14=16pcs</p> <p>(B)</p>
 <p>MATAL CLAPBOARD PIN 12 MM.=12pcs</p> <p>(C)</p>
 <p>DM3 METAL PLATE=2pcs screw-p 3.5*12=4pcs</p> <p>(D)</p>
 <p>screw-p 4*18=8pcs (4*18=12pcs WSQ2442) screw-f 4*11=4pcs (WSQ2442) 4*11=6pcs</p> <p>(E)</p>
 <p>screw-f 4*11=4pcs (4*11=6pcs WSQ2442) screw-p 4*18=4pcs (WSQ2442) 4*18=6pcs</p> <p>(F)</p>

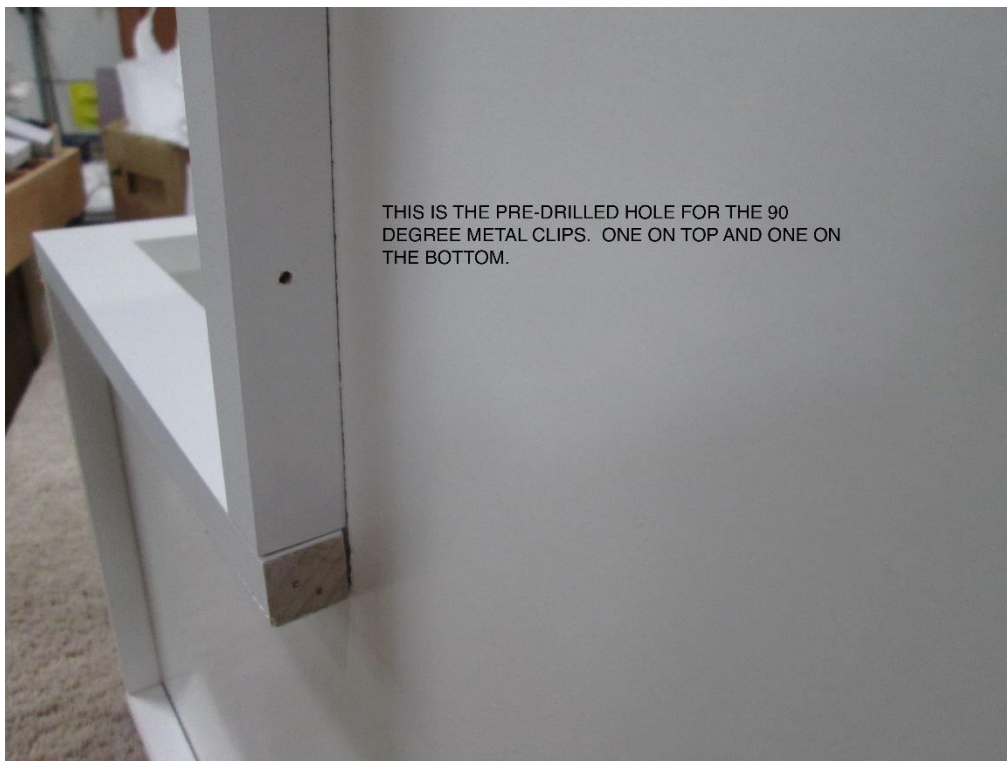


WSQ Cabinet





ASSEMBLE FACE FRAME TOGETHER



THIS IS THE PRE-DRILLED HOLE FOR THE 90 DEGREE METAL CLIPS. ONE ON TOP AND ONE ON THE BOTTOM.





SECURE THE DOOR (DOOR TO FRAME) WITH THE SHORT SCREW AS SEEN IN THE PICTURE.



THIS IS A FINISHED ASSEMBLED WSQ cabinet